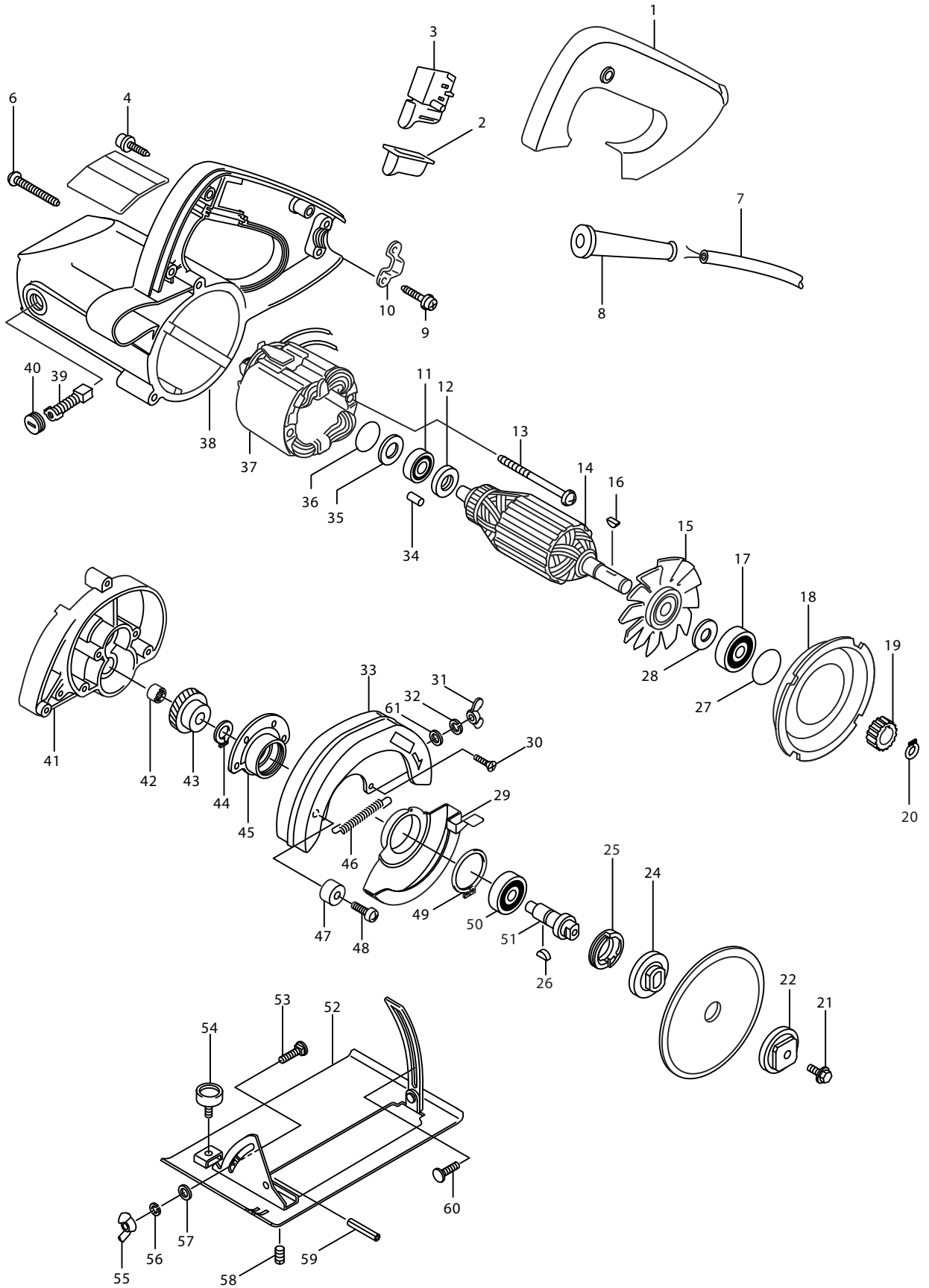




12 - 2010  
4200NH  
4-3/8" CIRCULAR SAW



Item No.	Part No.	Description	Qty	Unit	
1	416483-8	HANDLE COVER	1	PC.	
2	1	421142-1	SWITCH COVER (TYPE 1)	1	PC.
	2	421329-5	DUST COVER (TYPE 2)	1	PC.
3	651252-2	SWITCH SGES115C-4 SINGLE W/LOCK-OFF	1	PC.	
4	265995-6	TAPPING SCREW 4X18	4	PC.	
6	911263-2	P.H. SCREW M5X40	3	PC.	
7	664064-4	CORD WITH PLUG 2P-18-2.5M, SJ (OLD# 664013-1)	1	PC.	
8	682504-0	CORD GUARD 10X85	1	PC.	
9	265995-6	TAPPING SCREW 4X18	2	PC.	
10	687063-9	STRAIN RELIEF	1	PC.	
11	211033-2	BALL BEARING 608LB	1	PC.	
12	681653-0	INSULATION WASHER	1	PC.	
13	266029-8	TAPPING SCREW 5X65	2	PC.	
14	516321-5	ARMATURE (OLD # 616321-6 - N/L/A)	1	PC.	
	INC.	ITEM NO. 11, 12, 14, 15, 17 & 28			
15	240007-6	FAN 68	1	PC.	
16	254002-0	WOODRUFF KEY 3	1	PC.	
17	210042-8	BALL BEARING 629LLB	1	PC.	
18	415403-9	BAFFLE PLATE	1	PC.	
19	2	226683-0	* HELICAL GEAR 17 (TYPE 2)	1	PC.
20	961004-6	RETAINING RING S-8	1	PC.	
21	2	266454-3	HEX.SOCKET HEX.BOLT M6X18 (TYPE 2)	1	PC.
22	224081-2	OUTER FLANGE 36 (TYPE 1)	1	PC.	
		224414-1	OUTER FLANGE 36 (TYPE 2) *use with item no.24, Type 2	1	PC.
24	224080-4	INNER FLANGE 36 (TYPE 1)	1	PC.	
		224413-3	INNER FLANGE 36 (TYPE 2) *use with item no.22, Type 2	1	PC.
25	285815-8	BEARING RETAINER 19-33 (TYPE 1)	1	PC.	
		285834-4	BEARING RETAINER 19-33 (TYPE 2)	1	PC.
26	254001-2	WOODRUFF KEY 4	1	PC.	
27	213407-3	O RING 26	1	PC.	
28	1	253768-9	FLAT WASHER 9 (TYPE 1)	1	PC.
	2	253741-9	FLAT WASHER 9 (TYPE 2)	1	PC.
29	164473-2	SAFETY COVER	1	PC.	
30	912121-5	COUNTERSUNK HEAD SCREW M4X14	4	PC.	
31	934301-3	WING NUT M6	1	PC.	
32	942151-2	SPRING WASHER 6	1	PC.	
33	3	318219-0	* BLADE CASE (TYPE 3)	1	PC.
34	263002-9	RUBBER PIN 4	1	PC.	
35	253192-6	FLAT WASHER 14	1	PC.	
36	213262-3	O RING 18	1	PC.	
37	634301-0	FIELD 115V	1	PC.	
38	153742-6	MOTOR HOUSING COM. (OLD# 150863-5 - N/L/A)	1	PC.	
	INC.	643708-9	BRUSH HOLDER 5-11	2	PC.
	INC.	817422-5	CAUTION LABEL	1	PC.
39	194996-6	CARBON BRUSH CB-303 2PCS/SET	1	SET	
40	643750-0	BRUSH HOLDER CAP	2	PC.	
41	159911-7	GEAR HOUSING COM.	1	PC.	
42	212046-6	NEEDLE BEARING 810	1	PC.	
43	226684-8	* HELICAL GEAR 41 (TYPE 2)	1	PC.	
44	961052-5	RETAINING RING S-12	1	PC.	
45	317068-2	BEARING BOX	1	PC.	
46	231773-6	TENSION SPRING 4	1	PC.	
47	262502-6	RUBBER SLEEVE 6	1	PC.	
48	251247-1	(+) P.H. SCREW M6X20	1	PC.	
49	961155-5	RETAINING RING S-38	1	PC.	
50	211129-9	BALL BEARING 6201DDW	1	PC.	
51	321197-5	SPINDLE	1	PC.	
52	168158-2	BASE	1	PC.	
53	251919-8	CAP SQUARE NECK BOLT M6X20	1	PC.	
54	265724-7	SCREW M5X10	1	PC.	
55	934301-3	WING NUT M6	1	PC.	
56	942151-2	SPRING WASHER 6	1	PC.	
57	941151-9	FLAT WASHER 6	1	PC.	

<b>Item No.</b>	<b>Part No.</b>	<b>Description</b>	<b>Qty</b>	<b>Unit</b>	
58	266264-8	H.S.H. SET SCREW M5X6 (OLD#265883-7 - N/L/A)	1	PC.	
59	951219-3	SPRING PIN 6-32	1	PC.	
60	2	266018-3	* FLANGE HEAD SQUARE NECK BOLT M6X26 (TYPE 2)	1	PC.
61	941151-9	FLAT WASHER 6	1	PC.	
100	654037-5	INSULATED EYE TERMINAL FV1.25-M3	2	PC.	
101	652008-6	(+) P.H. SCREW M3.5X7	2	PC.	
102	654509-0	CLOSED END CONNECTOR 2-SD	1	PC.	
103	654020-2	GARTER SPRING	2	PC.	
<b><u>ACCESSORIES</u></b>					
A01	164095-8	GUIDE RULE	1	PC.	
A02	781011-1	WRENCH 22	1	PC.	
A03	2	783203-8	* HEX. WRENCH 5 (TYPE 2)	1	PC.
A04	416716-1	* WRENCH HOLDER 5-8	1	PC.	

## **SERVICE CHANGES**

### **1. Changes on Gears**

<b>Item No.</b>	<b>Description</b>	<b>Type 1</b>	<b>Type 2</b>
19	Herical Gear	226440-6 (19 Teeth)	226683-0 (17 Teeth)
43	Herical Gear	226441-4 (42 Teeth)	226684-8 (41 Teeth)

Above parts are completely interchangeable as a set.

### **2. Changes on Blade Case Com., Bolt**

<b>Item No.</b>	<b>Description</b>	<b>Type 1</b>	<b>Type 2</b>	<b>Type 3</b>
33	Blade Cae	150864-3 (incl.Caution Label 817667-5)	158665-3 (incl. Caution Label 817667-5)	318219-0
60	Bolt	251919-8 (Cap Square Neck M6x20)	266018-3 (Flange Head Square Neck M6X26)	

Above parts are completely interchangeable as a set.

### **2. Changes on Socket Wrench and Addition of Wrench Holder**

<b>Item No.</b>	<b>Description</b>	<b>Type 1</b>	<b>Type 2</b>
A03	Wrench	782209-3 (Socket Wrench 9)	783203-8 (Hex Wrench 5)
A04	Wrench Holder 5-8	-----	416716-1 (Added)

Above parts are completely interchangeable as a set.